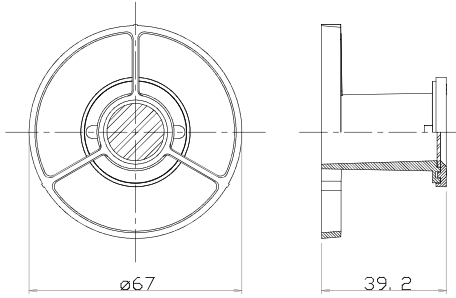


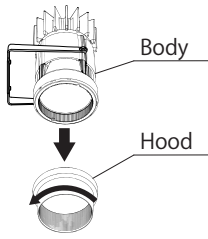
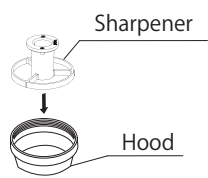
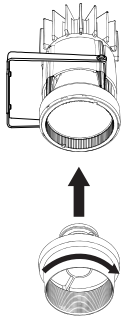
ModuleX

Installation Guide | Sharpener SA-3SH01

To install ModuleX safely

- !** Read the instructions carefully before installation and commissioning! If you have found a defect of or have any questions product, please stop the construction. Please contact your dealer.
Leave the instructions for users/customers for future reference!

	Weight	Mountable models
	20g	SX-900CBP/N SL-900DF/N SX-900DF/N SL-910DF/N SX-900LE/N SL-B9651H/N SX-910LE/N SX-910CBP/N SX-910DF/N SX-B9651H/N
<u>For narrow light distribution model only!</u>		

Installation Details	Installation Diagram	Caution
1 Turn the hood. 2 Put a sharpener in hood and put it back. ! The filter sandwiches it between hood and the fixture and is put on. A filter, please be careful not to drop on the occasion of desorption of hood.	1  2 	! 

! Caution

- Before carrying out maintenance and installation on the luminaire, disconnect from the mains supply.
- It can not be used for non-mountable models.
- There is a risk of injury at the edge part of the product. Please enough attention to handling.
- Please be securely attached. Failure to observe this may cause the part of the luminaire to fall.
- Please do not disassemble or modify the product.

(Contact)

Concord Lighting

5/F, Longbow House, 14-20 Chiswell Street, London, EC1Y 4TW, UK
Tel : +44-01273-616649

(Manufacturer)

ModuleX Inc.

#21 AraiBldg, 1-20-6 Ebisu-Minami Shibuya-ku, Tokyo
Tel : +81-3-5768-3131